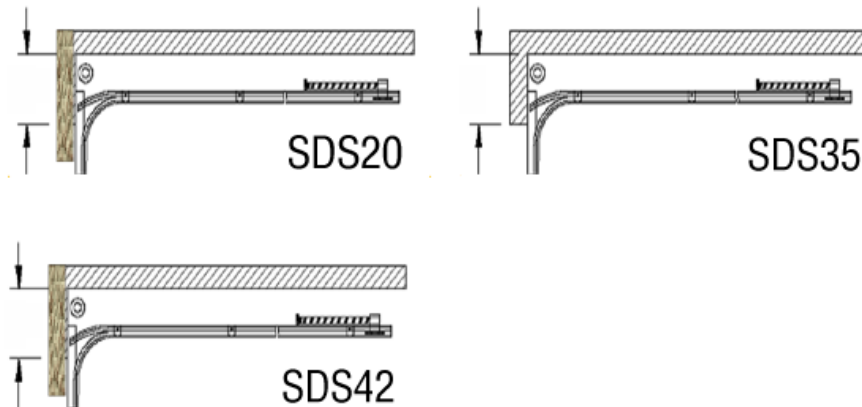


**SEMFORCE door system according to the most suitable area of your building,  
It offers various bearing systems.**

---



---

## **SDS 20**

**In case of head room are 20 cm.**

**Height (H) 2000 mm to 3000 mm**

**Width (W) 2250 mm and 4650 mm**

**Usage: Small industrial doors with garage doors**

**The lift are Normal Lift**

---

## **SDS 35**

**In case of head room are 35 cm.**

**Height (H) 2000 mm to 3000 mm**

**Width (W) 2250 mm and 4650 mm**

**Usage: Small and medium-sized industries in doors and garage doors.**

### **The lift are Normal Lift**

---

## **SDS 42**

**In case of head room are 42 cm. and more**

**Height (H) 2500 mm and 6125 mm**

**Width (W) 2500 mm and 6000 mm**

**Usage: used in industrial doors.**

**SDS 42 give the opportunity to apply  
different tracking & lifting systems**